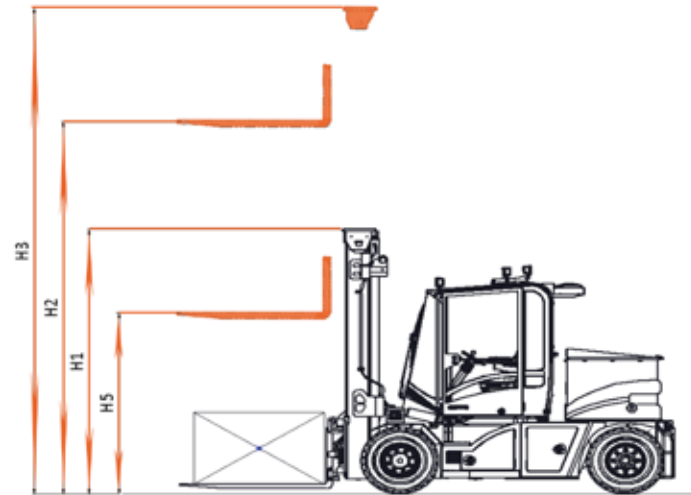




MERLINUM FORKLIFT

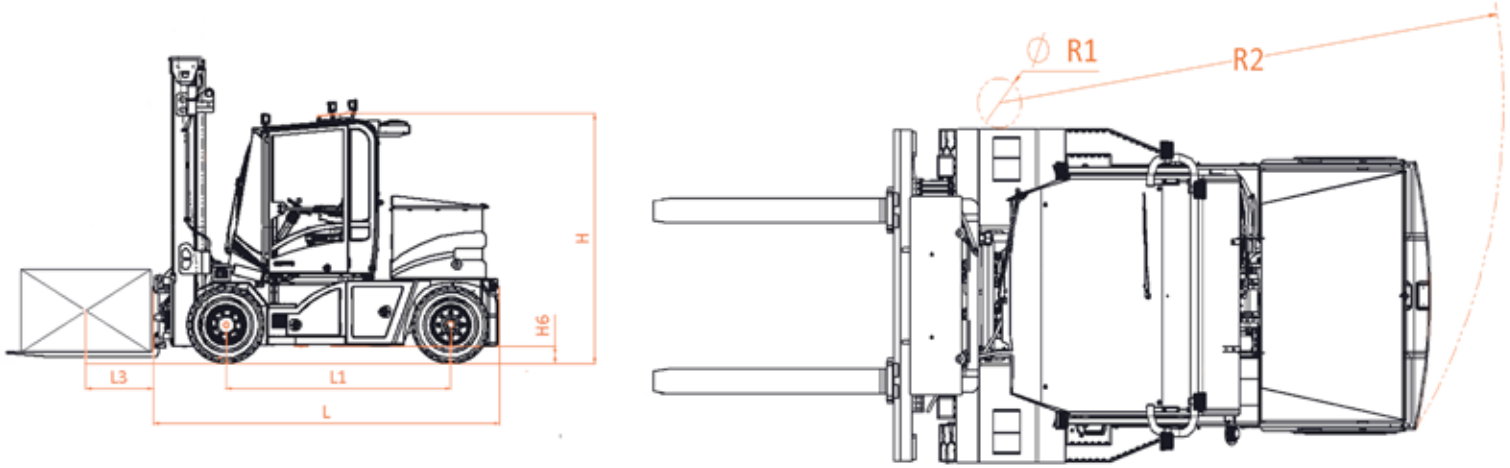
We can offer a complete range of masts, fork trolleys, and fork configurations. All of Merlinum's masts are heavy duty and reinforced around the shoulder joints and in places that are exposed to large forces when lifting. All masts are built with induction-hardened mast wheels to ensure minimal float and a long service life.



Mast	Lift height	H1 min. mast height	H3 max. mast height	H5 Free lift
Duplex	3250	2830	4430	-
	3500	2955	4680	-
	3750	3080	4930	-
	4000	3205	5180	-
	4250	3330	5430	-
	4500	3455	5680	-
	4750	3580	5930	-
	5000	3705	6180	-
	5250	3830	6430	-
	5500	3955	6680	-
	5750	4080	6930	-
	6000	4205	7180	-
	6250	4330	7430	-
	6500	4455	7680	-
Free lift	2000	2205	3180	1070
	2600	2475	3725	1320
	3250	2830	4680	1695
	3500	2955	4930	1820
	3750	3080	5180	1945
	4000	3205	5430	2070
	4250	3330	5680	2195
	4500	3455	5930	2320
	4750	3580	6180	2445
	5000	3705	6430	2570
	5250	3830	6680	2695
	5500	3955	6930	2820
	5750	4080	7180	2945
	6000	4205	7430	3070
6250	4330	7680	3195	
Triplex	2950	2194	4154	1070
	3800	2489	5049	1364
	4300	2649	5536	1524
	6200	3282	7438	2156



MERLINUM FORKLIFT



	(L) Forklift length mm	(L1) wheelbase mm	(LZ) Load distance mm	Lifting capacity Kg	R1 mm	R2 mm
EA 6-600	3780	2450	600	6000	150	3350
EA 7-600	3780	2450	600	7000	150	3350
EA 8-600S	3780	2450	600	8000	150	3350
EA 8-600L	3980	2650	600	8000	250	3550
EA 9-600	3980	2650	600	9000	250	3550
EA 8-900	3980	2650	900	8000	250	3550
EA 9-900	4180	2850	900	9000	350	3750
EA 10-600	4180	2850	600	10000	350	3750
EA 11-600	4180	2850	600	11000	350	3750
EA 8-1200		2850	1200	8000	350	3750

(H) Machine height	<u>STD Cab</u>	<u>Rotating driver's seat</u>	<u>Low-profile</u>	<u>Extra low-profile</u>
	2657 mm	2707 mm	2450 mm	2200 mm
(H6) Ground clearance	<u>Standard height</u>	<u>Increased ground clearance</u>		
	170 mm	210 mm		